

The Right Enclosure

right when you need it!



Available with or without
ATEX/IEC Ex Certification
for Global Applications
(CEN Suffix)



EXB Series



GR Series

QUICK RESPONSE PROGRAM

Shipped in 4 working days

EXB Series

ATEX / IEC Ex Certified

SIZE	CATALOG NUMBER	CATALOG NUMBER
8 x 8 x 6	EXB-886 N34-CENQRP	EXB-886 N34-QRP
10 x 10 x 6	EXB-10106 N34-CENQRP	EXB-10106 N34-QRP
12 x 12 x 6	EXB-12126 N34-CENQRP	EXB-12126 N34-QRP
12 x 12 x 8	EXB-12128 N34-CENQRP	EXB-12128 N34-QRP
14 x 14 x 6	EXB-14146 N34-CENQRP	EXB-14146 N34-QRP
14 x 14 x 8	EXB-14148 N34-CENQRP	EXB-14148 N34-QRP
18 x 18 x 8	EXB-18188 N34-CENQRP	EXB-18188 N34-QRP
18 x 24 x 8	EXB-18248 N34-CENQRP	EXB-18248 N34-QRP
18 x 24 x 10	EXB-182410 N34-CENQRP	EXB-182410 N34-QRP

GR Series

ATEX / IEC Ex Certified

COVER OPENING DIA.	CATALOG NUMBER	CATALOG NUMBER
3-29/32"	GRB-CENQRP	GRB-QRP
4-11/32"	GRE-CENQRP	GRE-QRP
5-9/32"	GRM-CENQRP	GRM-QRP
7-1/4"	GRK-CENQRP	GRK-QRP
7-7/8"	GRL-CENQRP	GRL-QRP
9-5/8" (7-5/8" deep)	GRH-CENQRP	GRH-QRP
9-5/8" (11" deep)	GRHC-CENQRP	GRHC-QRP
9-5/8" (16-3/16" deep)	GRHA-CENQRP	GRHA-QRP

NOTES

- For QRP Service, while glass lens option is not available on EXB Series and only BLANK covers are offered with GR Series, all other standard modifications can be provided including machining for conduit and operator openings plus installation of drain and breathers, hinges and mounting pans

QRP ORDER CRITERIA

- No special pricing or discounts will apply (Published Distributor Net Pricing)
- Maximum 10 units per order
- 'Clock starts ticking' only after drawings are received and approved by customer and KILLARK
- Standard ground shipments apply, unless customer provides account number with order for shipping via other means



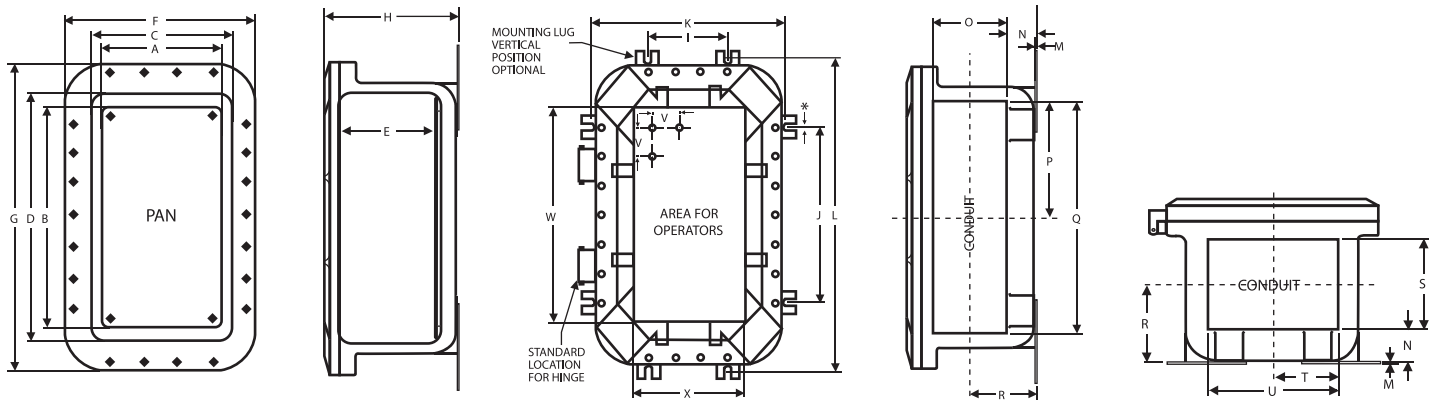
SEE REVERSE SIDE FOR COMPLETE DIMENSIONAL DATA

KILLARK



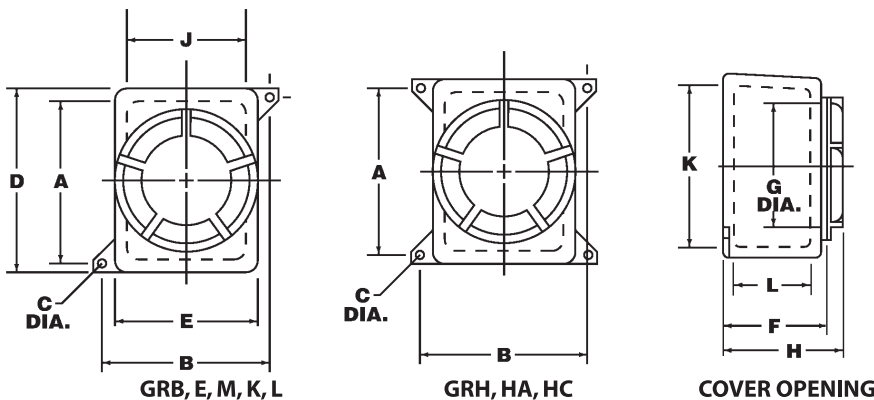
EXB Series Dimensions

CATALOG NUMBER	INTERNAL DIMENSIONS (INCHES)					EXTERNAL DIMENSIONS (INCHES)			MOUNTING DIMENSIONS (INCHES)				
	PAN		AVAILABLE FOR DEVICES			F	G	H	I	J	K	L	M
	A	B	C	D	E								
EXB-886 N34	7	7	7.59	7.59	6.06	12.32	12.32	8.09	N/A	6.00	9.88	N/A	0.19
EXB-10106 N34	9	9	10	10	6.20	15.25	15.25	8.90	4.94	4.94	12.94	12.94	0.25
EXB-12126 N34	10.5	10.5	11.5	11.5	6.00	16.38	16.38	8.69	6.94	6.94	14.94	14.94	0.25
EXB-12128 N34	10.5	10.5	11.37	11.37	8.00	16.38	16.38	10.69	6.94	6.94	14.94	14.94	0.25
EXB-14146 N34	13	13	14	14	6.20	19.25	19.25	9.40	9.00	9.00	17.00	17.00	0.25
EXB-14148 N34	13	13	14	14	8.20	19.25	19.25	11.40	9.00	9.00	17.00	17.00	0.25
EXB-18188 N34	17	17	18	18	8.12	23.25	23.25	12.00	13.38	13.38	21.38	21.38	0.25
EXB-18248 N34	16.38	22.13	17.37	23.37	8.00	22.38	28.38	11.75	13.00	19.00	21.00	27.00	0.25
EXB-182410 N34	16.38	22.13	17.23	23.23	10.00	22.38	28.38	13.75	13.00	19.00	21.25	27.00	0.25



GR Series Dimensions

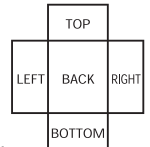
CAT. NO.	INTERNAL											
	A	B	C	D	E	F	G	H	I	J	K	L
GRB	4"	6"	5/16"	4-5/8"	4-5/8"	4-5/32"	3-29/32"	4-9/16"	4-17/32"	3-3/4"	3-3/4"	2-11/16"
GRE	5-3/4"	6-1/2"	5/16"	6-5/8"	5-1/2"	5-1/4"	4-11/32"	5-3/4"	5-23/32"	4-5/8"	5-3/4"	3-9/32"
GRM	5-7/8"	8-1/8"	5/16"	6-7/8"	6-7/8"	5-15/16"	5-9/32"	6-9/16"	6-9/16"	6"	6"	4-3/16"
GRK	9-1/8"	9-5/8"	5/16"	9-7/8"	8-3/8"	6-17/32"	7-1/4"	7-9/32"	7-3/16"	7-1/16"	8-5/16"	4-1/8"
GRL	9-1/2"	10-1/2"	7/16"	10-1/2"	8-7/8"	7-3/16"	7-7/8"	7-31/32"	7-15/16"	7-5/8"	9-1/8"	4-15/16"
GRH	10-3/4"	12-1/8"	7/16"	12"	11-5/8"	7-5/8"	9-5/8"	8-3/8"	8-5/8"	9-1/2"	10-1/2"	5"
GRHA	8-1/4"	12-1/8"	7/16"	12"	11-5/8"	16-3/16"	9-5/8"	16-15/16"	16-3/16"	9-1/2"	10-1/2"	13-9/16"
GRHC	8-1/4"	12-1/8"	9/16"	12-3/16"	11-5/8"	11"	9-5/8"	11-3/4"	12"	9-9/16"	10-5/8"	8-7/16"



Conduit Openings

Ordering Information

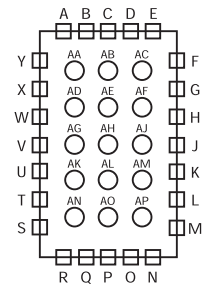
- Select the letter on location chart which indicates conduit opening position desired.
- Select symbol number from chart which indicates conduit opening type and size.
- Combine the conduit location letter, size and type number, and add as a suffix to junction box catalog number.



Example: EXB-14148 N34-C2-M3-P5

Drawing indicates position as looking into open face of box with short side (top) up.

EXB/GR Symbol Numbers	
Conduit Size	Conduit Openings Drilled and Tapped
1/2"	1
3/4"	2
1"	3
1-1/4"	4
1-1/2"	5
2"	6
2-1/2"	7
3"	8
3-1/2"	9
4"	0
5"	02
6"	04



KILLARK®

A Division of Hubbell Incorporated (Delaware)